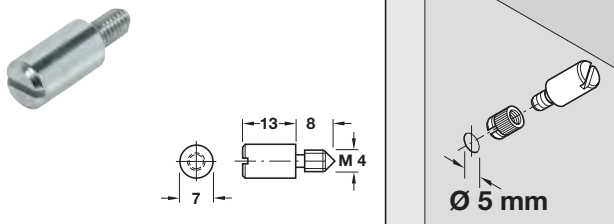


Shelf support, plug in, for use with M4 sleeve

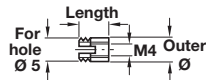


For installation in spreading dowel, order separately 051.45.004

- > With M4 thread for installation in spreading dowel (not included; order separately)
- > Load carrying capacity 80 kg*
- > Steel
- > Order qty: Multiples of 100 pcs

Finish	Cat. No.
Nickel-plated	282.39.705

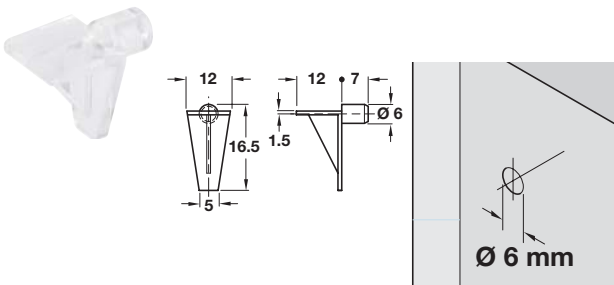
Sleeve, M4 internal thread, for Ø 5 mm holes



- > For use with shelf support Cat. No. 282.39.705
- > For Ø 5 mm hole
- > Bright brass
- > Order qty: Multiples of 100 pcs

Length	Cat. No.
8 mm	051.45.004

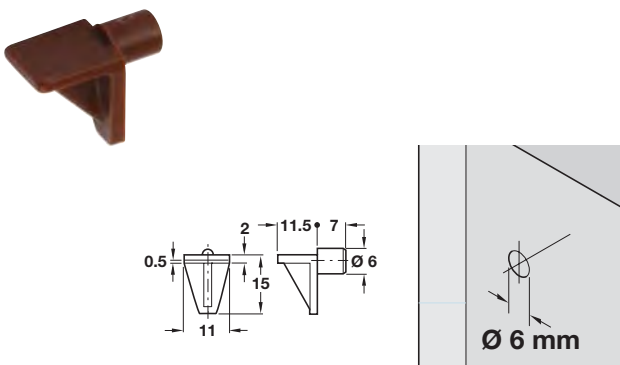
Shelf support, plug in, for Ø 6 mm holes



- > For Ø 6 mm hole
- > Load carrying capacity 60 kg*
- > Plastic
- > Order qty: Multiples of 100 pcs

Finish	Cat. No.
Transparent	283.63.500

Shelf support, plug in, for Ø 6 mm holes



*Load carrying capacity applies to 4 shelf supports bearing an evenly distributed load. Testing was carried out according to DIN EN 1727: 1998-06 "Mechanical safety requirements for shelf supports"

- > With grooved plug
- > For Ø 6 mm hole
- > Load carrying capacity 60 kg*
- > Plastic
- > Order qty: Multiples of 100 pcs

Finish	Cat. No.
Brown	283.63.108
Beige	283.63.402
White	283.63.706