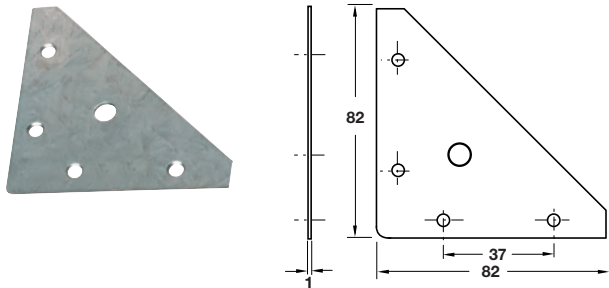


CORNER BRACE AND GUSSET

Corner brace



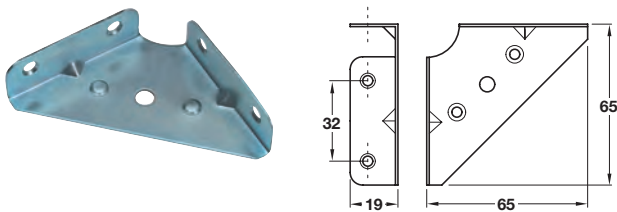
- > Steel
- > Order qty: Multiples of 100 pcs



Finish
Galvanized

Cat. No.
290.08.940

Corner gusset



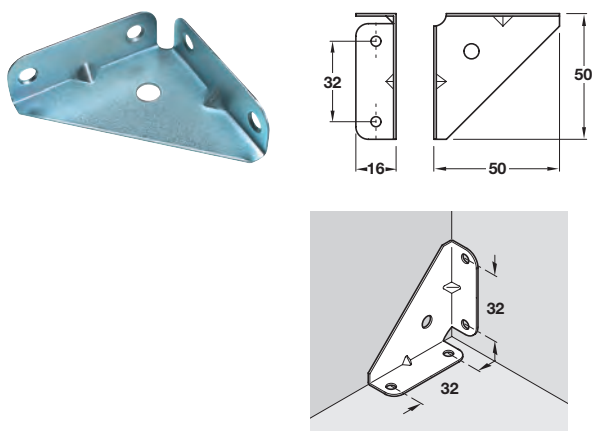
- > Mild steel, (1 mm thickness)
- > Order qty: Multiples of 50 pcs



Finish
Zinc-plated

Cat. No.
260.26.530

Corner gusset



- > Mild steel (1 mm thickness)
- > Order qty: Multiples of 50 pcs



Finish
Zinc-plated

Cat. No.
260.26.920



- > Hospa screws are shown on pages **388-393, 402**
- > Varianta screws are shown on pages **400-401, 403**