


IXCONNECT KEKU FASTENERS

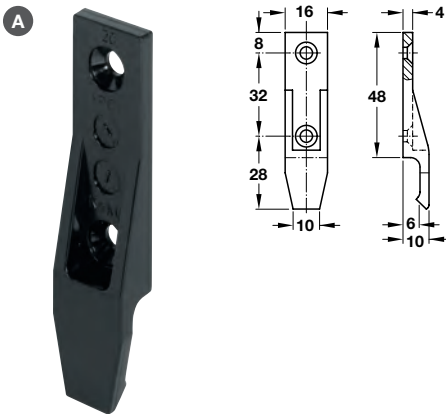


- > For securing trims and cladding panels directly to walls with no wooden subframe
- > For construction of cavity-type doors to accommodate sound insulating material or cable ducting
- > For ceiling claddings as well as walls
- > All panels, once installed, can be easily removed at any time and with no special tools
- > Advantages
 - Easy pre-planning
 - Wide range of designs with different panel materials and other materials
 - Systematic design with prefabricated parts
 - Quick, easy dismantling at any time
 - Reusable, recyclable



-  > Supporting plastic fittings may not be treated with chemical solvents or aggressive greases
- > Makrolon has a temperature stability from -100°C to +135°C


Panel component, with lip



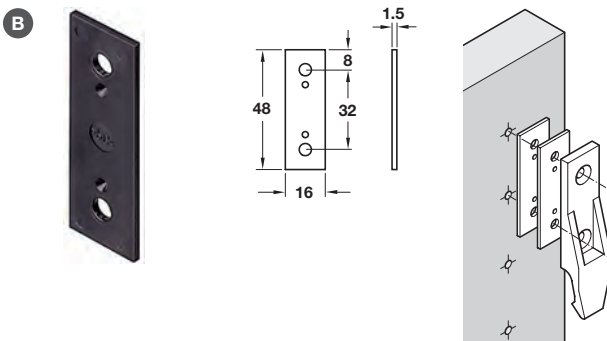
- > Screw fixing with Hospa or Varianta screws
- > Max load capacity of pair of fittings is 20 kg
- > Black Makrolon
- > Order qty: Multiples of 50 pcs



Mounting with	With lip
Hospa screws	262.49.356
Varianta screws	262.49.357


-  > Angled component C or D must be ordered separately, shown on page 365

Spacer plate



- > For panel component A
- > Black polycarbonate
- > Order qty: Multiples of 50 pcs

Mounting with	Cat. No.
Varianta screws	262.49.355

-  > Hospa screws are shown on pages 388-393, 402
- > Varianta screws are shown on pages 400-401, 403

COMPONENTS, FIXINGS AND CONSUMABLES 2014, © Häfele U.K. Ltd 2014. Dimensional data not binding. We reserve the right to alter specifications without notice.