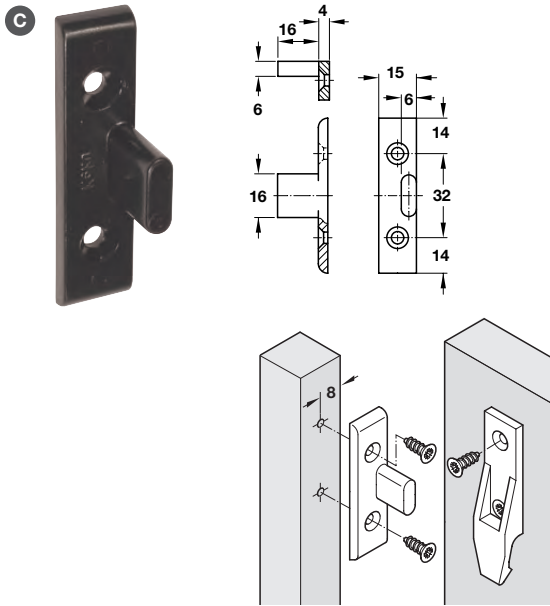


Frame component EH

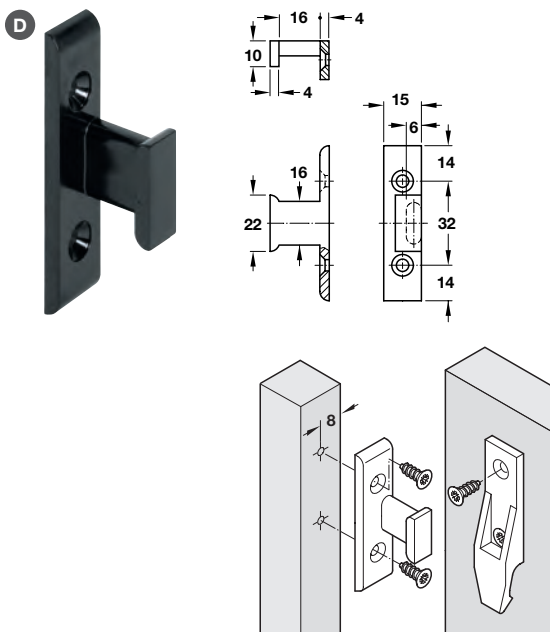


- > Surface mounted
- > Screw fixing with Hospa or Varianta screws
- > Max load capacity of pair of fittings:
 - For vertical suspension is 20 kg
 - For horizontal suspension, lying, is 30 kg
 - For horizontal suspension, hanging is 8 kg
- > Black Makrolon
- > Order qty: Multiples of 50 pcs



Mounting with	Cat. No.
Hospa screws	262.49.365
Varianta screws	262.49.366

Frame component EHS

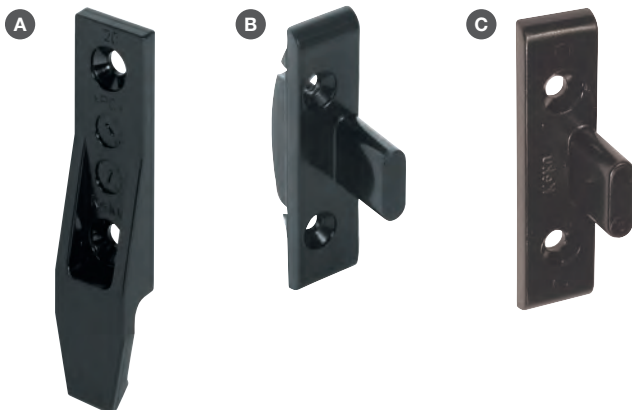


- > Surface mounted
- > Screw fixing with Hospa or Varianta screws
- > With side guide
- > Max load capacity of pair of fittings:
 - For vertical suspension is 20 kg
 - For horizontal suspension, lying, is 30 kg
 - For horizontal suspension, hanging is 8 kg
- > Black Makrolon
- > Order qty: Multiples of 50 pcs



Mounting with	Cat. No.
Hospa screws	262.49.367
Varianta screws	262.49.368

EH Partition fastener sets



- > Consists of:
 - 1x Panel component with lip A
 - and either
 - 1x Frame component B
 - or 1x Frame component C
- > For mounting with Hospa screw
- > Order qty: Multiples of 50 sets



Components	Cat. No.
A 262.49.356 + B 262.49.360	262.49.338
A 262.49.356 + C 262.49.365	262.49.310