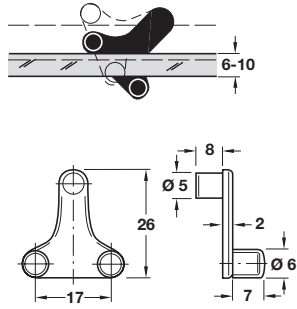


# SHELF CLAMP SUPPORTS



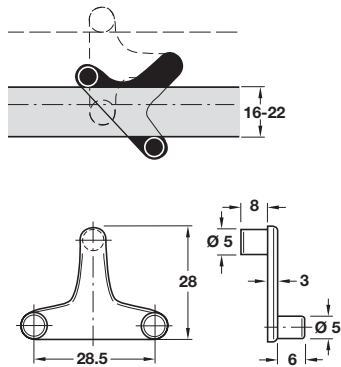
## Glass shelf clamp support, plug in, for Ø 5 mm holes



- > For Ø 5 mm hole
- > Prevent glass shelves from sliding or falling when being cleaned or loaded
- > The clamping effect increases in direct proportion to the loading
- > Suitable for furniture manufacture, shopfitting and exhibition stand applications
- > Plugs into a Ø 5 mm hole, after which the glass shelf is slid into place
- > For glass shelves 6-10 mm thick
- > Zinc alloy shelf clamp support with two transparent plastic-coated clamping lugs
- > Order qty: Multiples of 10 pcs

Finish	Cat. No.
Nickel-plated	282.23.716

## Shelf clamp support, plug in, for Ø 5 mm holes



- > For Ø 5 mm hole
- > Prevent wooden shelves from sliding or falling when being cleaned or loaded
- > The clamping effect increases in direct proportion to the loading
- > Suitable for furniture manufacture, shopfitting and exhibition stand applications
- > Plugs into a Ø 5 mm hole, after which the wooden shelf is slid into place
- > For wooden shelves 16-22 mm thick
- > Load carrying capacity 80 kg\*
- > Zinc alloy shelf clamp support with two clamping lugs
- > Order qty: Multiples of 10 pcs

Finish	Cat. No.
Nickel-plated	282.23.725



> \*Load carrying capacity applies to 4 shelf supports bearing an evenly distributed load. Testing was carried out according to DIN EN 1727: 1998-06 "Mechanical safety requirements for shelf supports"