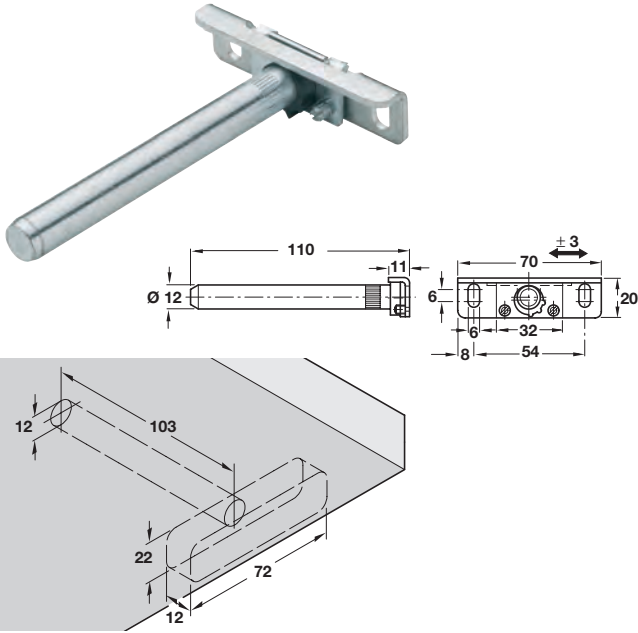
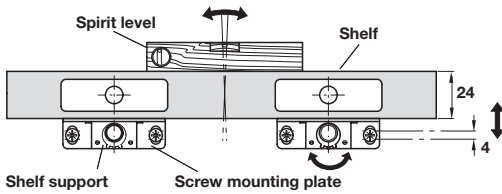


Concealed shelf support, with eccentric sleeve, for installation into woodwork or masonry walls



Height and inclination adjustment possible as shown on the right



- > For concealed mounting of shelves
- > For installation into woodwork or masonry walls
- > With screw mounting plate
- > Fitting consists of:
 - 1x Supporting pin with mounting plate, galvanized steel
 - 1x Pre-mounted plastic sleeve
 - 2x Adjusting screws for inclination adjustment
- > Supporting pin with knurled section is installed in a Ø 12 mm hole in the shelf, the pin may be exposed or concealed depending on the thickness of the shelf
- > Height adjustable via slots
- > Inclination adjustment using adjusting screws which press on the rear plate when turned in
- > Lateral adjustment by lifting the supporting pin; can be adjusted to the right or left
- > Order qty: Multiples of 4 pcs

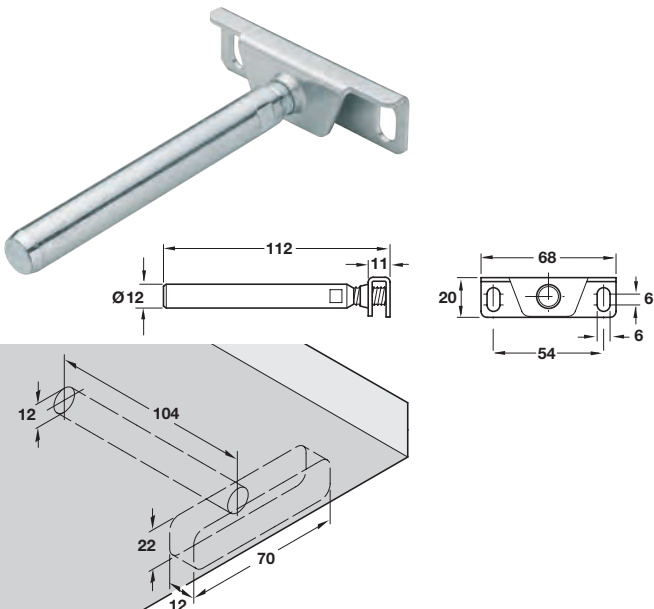
Shelf depth mm	Max. load kg/m ²
175	180
200	160
225	130
250	100
275	80
300	50

Max. 700 mm distance between shelf supports, with evenly distributed load

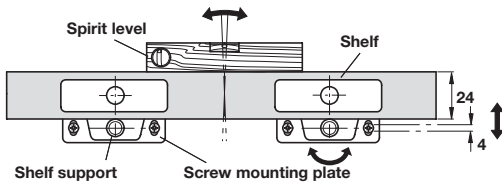


For min. shelf thickness	Cat. No.
24 mm	283.33.904

Concealed shelf support, for installation into woodwork or masonry walls



Height and inclination adjustment possible as shown on the right



- > For concealed mounting of shelves
- > For installation into woodwork or masonry walls
- > With screw mounting plate
- > Fitting consists of:
 - 1x Supporting pin with mounting plate, galvanized steel
- > Supporting pin is installed in a Ø 12 mm hole in the shelf, the pin may be exposed or concealed depending on the thickness of the shelf
- > Height adjustable via slots
- > Inclination adjustment using supporting pin which presses on the rear plate when turned in
- > Order qty: Multiples of 4 pcs

Shelf depth mm	Max. load kg/m ²
200	200
250	140
300	80

Max. 700 mm distance between shelf supports, with evenly distributed load



For min. shelf thickness	Cat. No.
24 mm	283.33.910

COMPONENTS, FIXINGS AND CONSUMABLES 2014, © Häfele U.K. Ltd 2014. Dimensional data not binding. We reserve the right to alter specifications without notice.