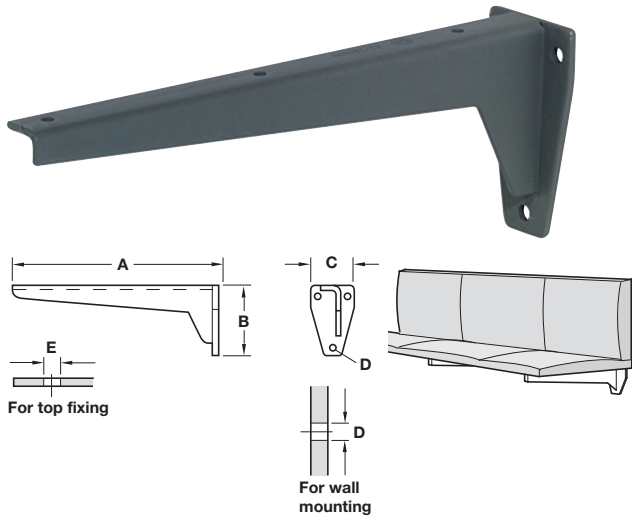


HEBGO FIXED BRACKETS

Suitable for tables and bench seats.

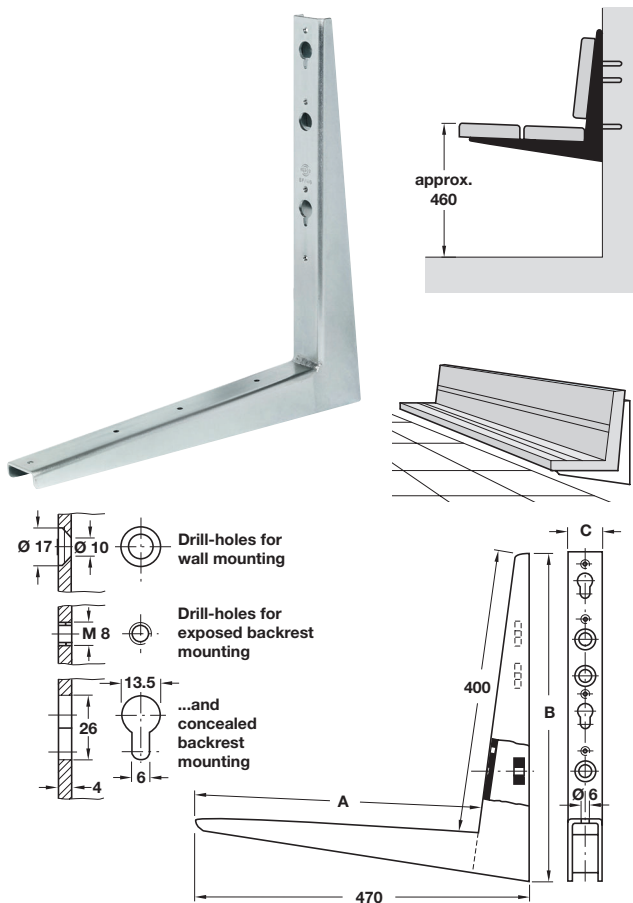
Hebgo fixed bracket, for tables and bench seats



- > For wall mounting
- > Load carrying capacity 150 kg per pair*
- > Grey primed steel
- > Order qty: 1 pc (1 pc = 1 bracket)

Dim. A	Dim. B	Dim. C	Screw hole D / E	Cat. No.
200 mm	80 mm	46 mm	Ø 7.3 / 4.5 mm	287.44.416
240 mm	80 mm	46 mm	Ø 7.3 / 4.5 mm	287.44.425
280 mm	100 mm	53 mm	Ø 7.3 / 5.5 mm	287.44.434
330 mm	100 mm	53 mm	Ø 7.3 / 5.5 mm	287.44.443
380 mm	130 mm	65 mm	Ø 10.0 / 5.5 mm	287.44.452
480 mm	130 mm	65 mm	Ø 10.5 / 5.5 mm	287.44.461
580 mm	170 mm	82 mm	Ø 10.5 / 5.5 mm	287.44.470
680 mm	170 mm	82 mm	Ø 10.5 / 5.5 mm	287.44.489

Hebgo fixed bench bracket, for tables and bench seats



- > For direct wall mounting using screws and plugs
- > Load carrying capacity 500 kg per pair*
- > Punch tool included
- > Provides for the accurate marking of drilling centres for the backrest
- > Detailed mounting instructions are included in every pack
- > Bright galvanized steel
- > Order qty: 1 pc (1 pc = 1 bracket)

Dim. A	Dim. B	Dim. C	Cat. No.
410 mm	460 mm	48 mm	287.47.971



- > *The load carrying capacity value shown is dependent on certain conditions:
 - Appropriate fixings are used to fix the brackets to the wall. Wall mounting must accommodate the load capacity
 - The load is distributed evenly
 - The long arm being mounted on the wall (where applicable)
 - Maximum distance between brackets 800 mm
- > The properties and materials of the shelves and walls as well as the type of mounting material used must be taken into account