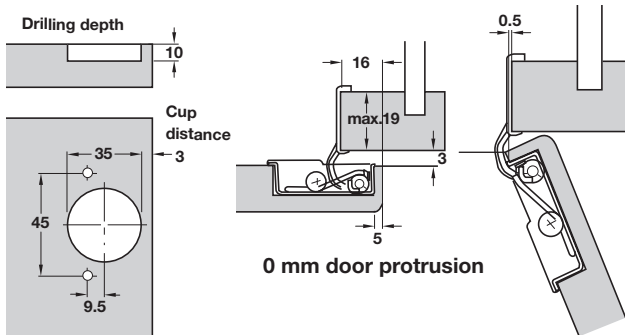


**Face frame hinge**



- > Opening angle 104°
- > Maximum door thickness 19 mm
- > Ø 35 mm cup
- > Screw fixing
- > Overlay 16 mm
- > Sprung
- > Nickel-plated steel
- > Order fixing screws separately
- > Order qty: 1 pc



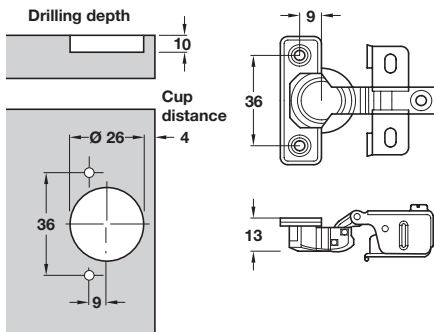
Cup fixing  
Screw

Cat. No.  
343.93.503

**Face frame hinge**



- > Ideal for use in caravans and campers
- > Opening angle 92°
- > For door thickness min. 12 - max. 19 mm
- > Ø 26 mm cup
- > Screw fixing
- > Overlay 9.4 mm
- > Unsprung
- > Nickel-plated pressed steel
- > Order fixing screws separately
- > Order qty: 1 pc



Cup fixing  
Screw

Cat. No.  
343.80.720

LIFT, TURN AND SLIDE 2013, © Häfele U.K. Ltd 2013. Dimensional data not binding. We reserve the right to alter specifications without notice.