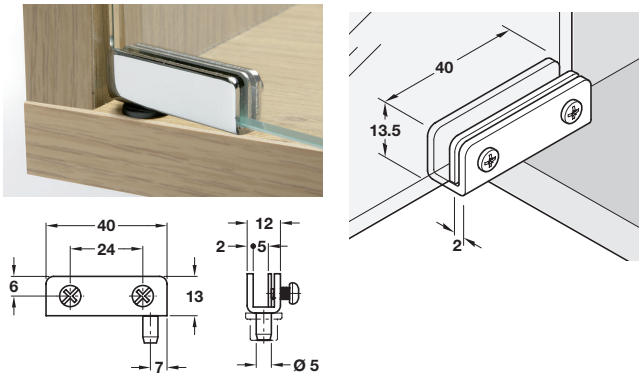


Simplex glass door hinge

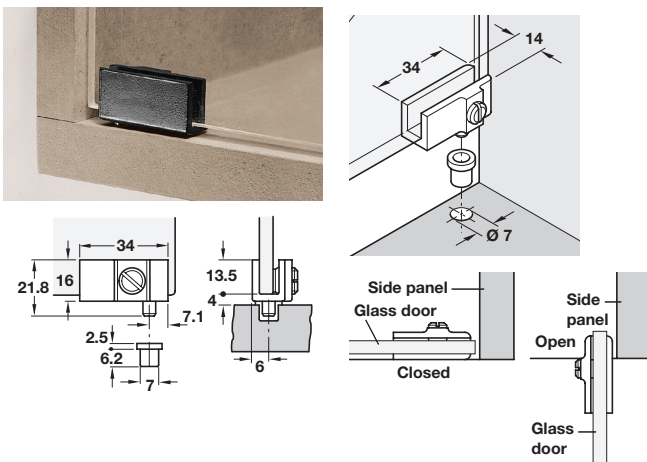


- > With press fit bush
- > Maximum opening angle 110°
- > For maximum glass thickness 5 mm
- > For inset doors
- > Without catch
- > Black steel hinge with black plastic press-fit bush
- > Order qty: 1 pair (1 pair required per door)



Finish	Chrome-plated	Black
Cat. No.	361.42.202	361.42.300

Glass door pivot hinge

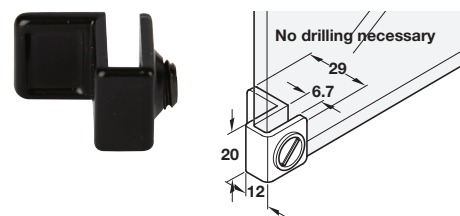


- > Maximum opening angle 90°
- > For maximum glass thickness 6.7 mm
- > For inset doors
- > Unsprung
- > Black zinc alloy hinge and nylon bush
- > For safety reasons we recommend that toughened glass be used with these hinges
- > Order qty: 1 pair (1 pair required per door)



		Cat. No.
Glass door pivot hinge		361.69.320

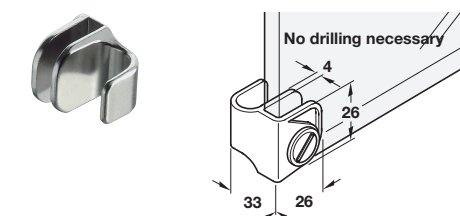
Glass door pull



- > For maximum glass thickness 6.7 mm
- > Zinc alloy
- > Order qty: 1 pc

Finish	Cat. No.
Black	154.27.300

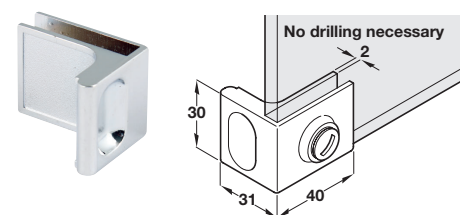
Glass door pull



- > For glass thickness 4 - 5 mm
- > Push-fits on glass doors
- > Zinc alloy with plastic fixing screw
- > Order qty: 1 pc

Finish	Cat. No.
Nickel-plated	154.18.701

Glass door pull



- > For maximum glass thickness 5 mm
- > Zinc alloy
- > Order qty: 1 pc

Finish	Cat. No.
Polished chrome-plated	154.25.210