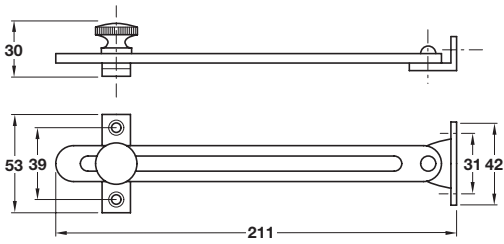
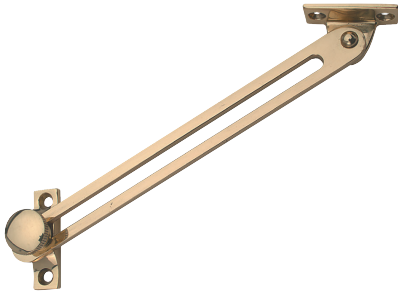


Wardrobe lid stay



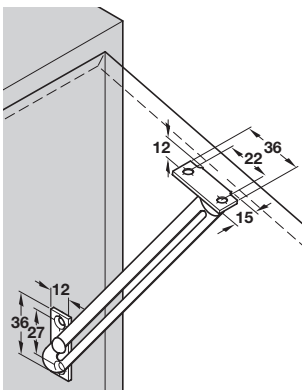
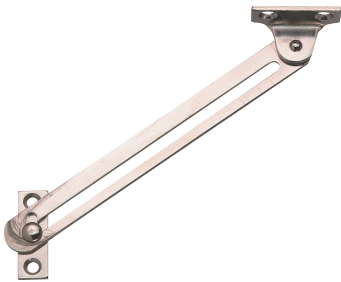
- > Thumbscrew adjustment controls door movement
- > Brass
- > Order qty: 1 pc



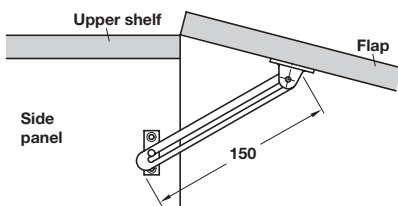
Finish
Polished brass

Cat. No.
805.06.814

Lid stay



Flap open



- > With guide slot
- > Suitable for use as a door restraint
- > Left and right handed
- > Nickel-plated steel
- > Order fixing screws separately
- > Order qty: 1 pc



Finish
Nickel-plated

Left
366.40.776

Right
366.40.767