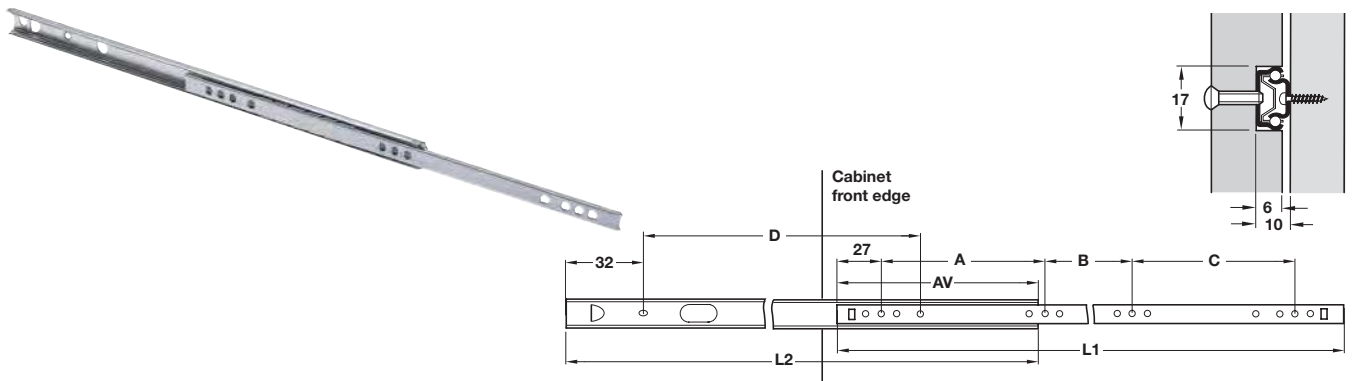


# BALL BEARING GROOVE RUNNERS

## Drawer runners, single extension

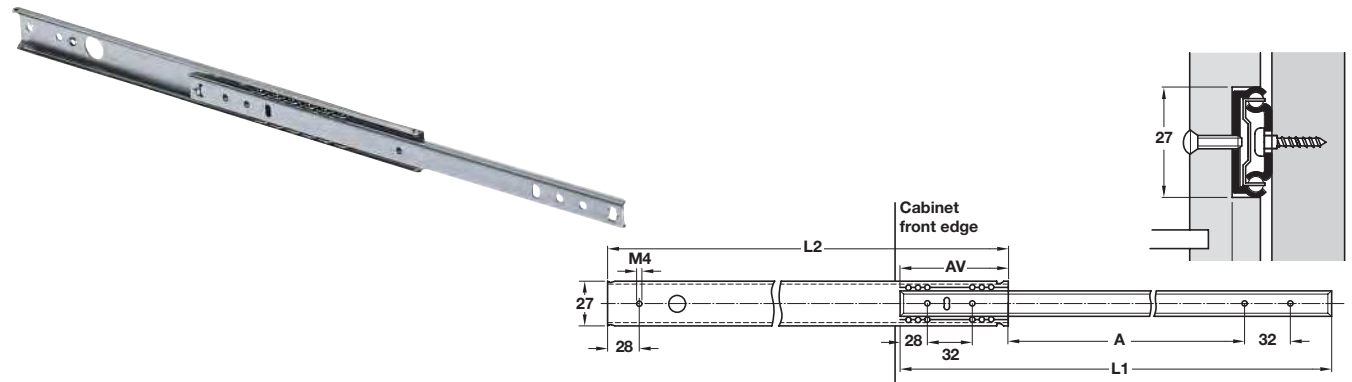


- > Suitable for 17 mm grooved drawers
- > 10 kg carrying capacity
- > Guided by means of two ball cages
- > Galvanized steel
- > Order fixing screws separately
- > Order qty: 1 pair



Drawer depth	L1 carcase rail	L2 drawer rail	AV extension loss	Dim.A	Dim. B	Dim. C	Dim. D	Cat. No.
187 - 284 mm	182 mm	187 mm	60 mm	64 mm	-	64 mm	141 mm	420.68.182
251 - 400 mm	246 mm	251 mm	72 mm	96 mm	-	96 mm	205 mm	420.68.253
280 - 489 mm	278 mm	283 mm	72 mm	96 mm	32 mm	96 mm	-	420.68.280
312 - 513 mm	310 mm	315 mm	72 mm	128 mm	-	128 mm	266 mm	420.68.315
352 - 570 mm	342 mm	347 mm	96 mm	128 mm	32 mm	128 mm	306 mm	420.68.350
376 - 616 mm	374 mm	379 mm	96 mm	160 mm	-	160 mm	330 mm	420.68.379
432 - 620 mm	424 mm	430 mm	96 mm	128 mm	128 mm	128 mm	356 mm	420.68.400

## Drawer runners, single extension



- > Suitable for 27 mm grooved drawers
- > 12 kg carrying capacity
- > Guided by means of two ball cages
- > Galvanized steel
- > Order fixing screws separately
- > Order qty: 1 pair

420.95.394 REPLACED BY **420.95.395**  
 420.95.456 REPLACED BY **420.95.457**  
 420.95.527 REPLACED BY **420.95.528**  
 420.95.572 REPLACED BY **420.95.573**  
 420.95.643 REPLACED BY **420.95.644**  
 420.95.705 REPLACED BY **420.95.706**



Drawer depth	L1 carcase rail	L2 drawer rail	AV extension loss	Dim.A	Cat. No.
246 - 338 mm	246 mm	246 mm	72 mm	128 mm	420.95.395
278 - 452 mm	278 mm	278 mm	72 mm	160 mm	420.95.457
310 - 516 mm	310 mm	310 mm	72 mm	192 mm	420.95.528
350 - 568 mm	342 mm	342 mm	72 mm	224 mm	420.95.573
374 - 632 mm	374 mm	374 mm	72 mm	256 mm	420.95.644
406 - 696 mm	406 mm	406 mm	72 mm	288 mm	420.95.706

TCH TECHNOLOGY 2018, © Häfele U.K. Ltd 2018. Dimensional data not binding. We reserve the right to alter specifications without notice.

PAGE AMENDED  
30.01.19/2