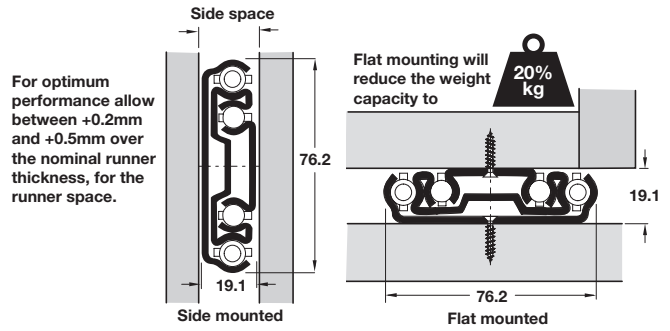
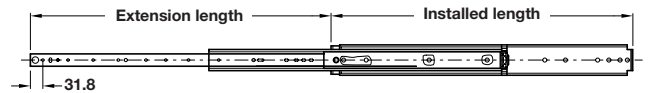


Accuride 9301 extra heavy duty runners, full extension



Mounting brackets available shown on page 206



- > Can be side mounted or base and top mounted using brackets, for use as a pull out storage unit
- > M6 hexagonal head screw can be used with these runners
- > Load carrying capacity up to 227 kg (see below for individual runner capacity)
- > Zinc-plated steel
- > *Corrosion resistant up to 500 hours, stainless steel ball retainer, ball bearings food grade grease
- > Please note: Weights limit per pair based on length, weight limits reduce by 80% if flat mounted
- > Order fixing screws separately (max. head height 4.8 mm, Ø 12.7 mm)
- > Order qty: 1 pair

Full Extension	TESTED 10,000 CYCLES	FIXINGS REQUIRED VARIANTA Ø5	FIXINGS REQUIRED HOSPA Ø 4.0
-----------------------	-----------------------------------	---	---

Installed length	Extension length	Load capacity	Bright	*Corrosion resistant
254 mm	254 mm	227 kg	422.10.925	422.46.825
305 mm	305 mm	227 kg	422.10.930	422.46.830
356 mm	356 mm	227 kg	422.10.935	422.46.835
406 mm	406 mm	227 kg	422.10.940	422.46.840
457 mm	457 mm	227 kg	422.10.945	422.46.845
508 mm	508 mm	227 kg	422.46.950	422.46.850
559 mm	559 mm	227 kg	422.46.955	422.46.855
610 mm	610 mm	227 kg	422.46.960	422.46.860
660 mm	660 mm	227 kg	422.46.965	422.46.865
711 mm	711 mm	227 kg	422.46.970	422.46.870
762 mm	762 mm	222 kg	422.46.975	422.46.875
813 mm	813 mm	218 kg	422.46.980	422.46.880
864 mm	864 mm	213 kg	422.46.985	422.46.885
914 mm	914 mm	209 kg	422.46.990	422.46.890
1016 mm	1016 mm	200 kg	422.46.994	422.46.893
1067 mm	1067 mm	195 kg	422.10.995	422.46.894
1118 mm	1118 mm	182 kg	422.46.995	422.46.895
1219 mm	1219 mm	182 kg	422.46.996	422.46.896
1371 mm	1371 mm	168 kg	422.46.997	-
1524 mm	1524 mm	154 kg	422.46.998	-