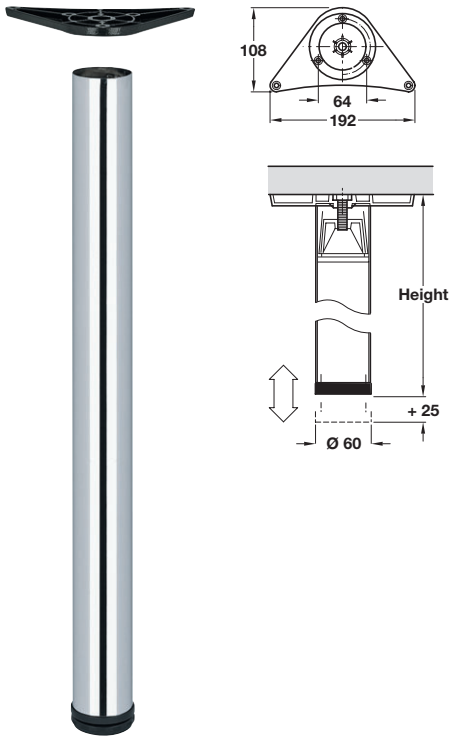


Table leg, Ø 60 mm



- > +25 mm adjustment
- > Dark grey zinc alloy screw fixing mounting plate
- > Tubular steel leg with black plastic height adjustable foot
- > Order qty: Multiples of 4 pcs



Finish	710 mm height
Silver colour, RAL 9006	635.24.271
Polished chrome-plated	635.24.273
Black	635.24.371
Stainless steel colour	635.24.471

Leg, Ø 80 mm

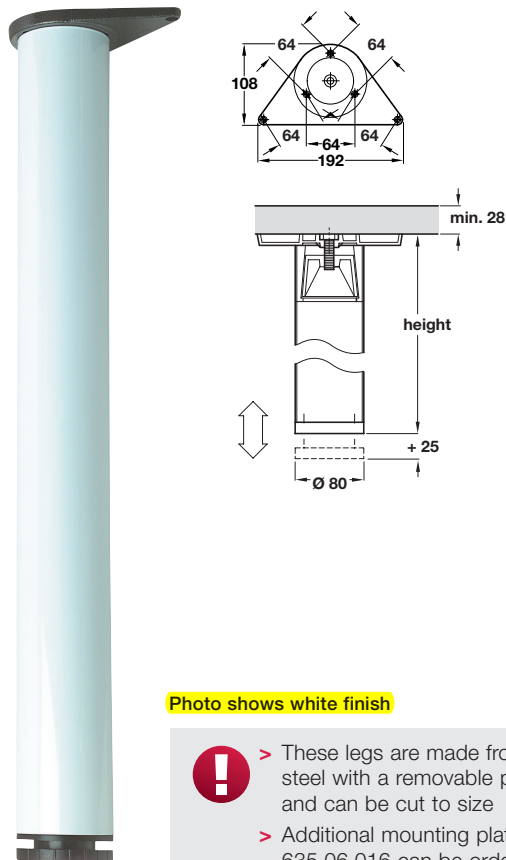


Photo shows white finish

- ! > These legs are made from tubular steel with a removable plastic foot and can be cut to size
- > Additional mounting plate Cat. No. 635.06.016 can be ordered separately, shown on page 149

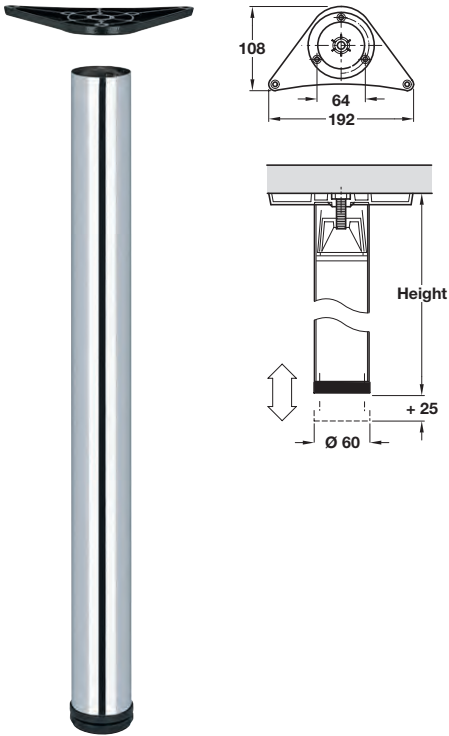
- > +25 mm adjustment
- > Leg can be cut to size
- > Dark grey zinc alloy screw fixing mounting plate
- > Tubular steel leg with black plastic height adjustable foot
- > Order qty: Multiples of 4 pcs



Finish	710 mm height
Black	635.07.370
Polished chrome	635.07.273
Stainless steel colour	635.07.479
Silver coloured RAL 9006	635.07.271

! > Load carrying capacity is dependent on the type of material, size and weight of the construction

Table leg, Ø 60 mm

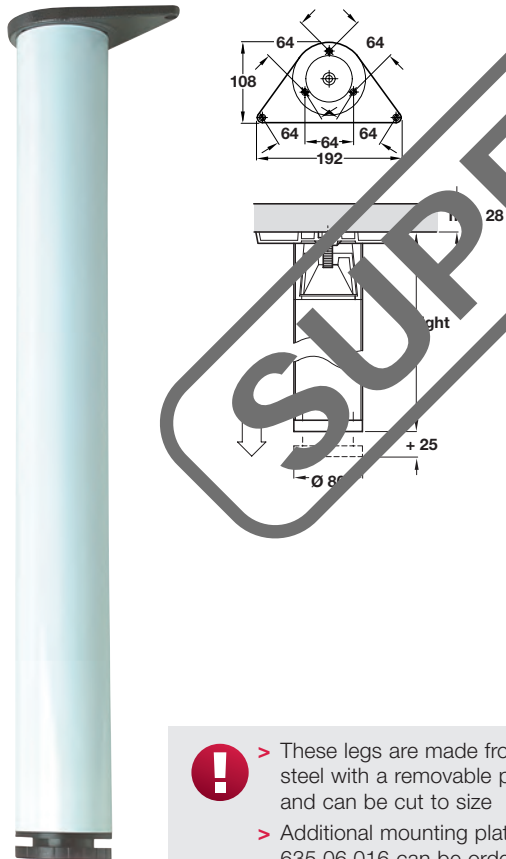


- > +25 mm adjustment
- > Dark grey zinc alloy screw fixing mounting plate
- > Tubular steel leg with black plastic height adjustable foot
- > Order qty: Multiples of 4 pcs



Finish	710 mm height
Silver coloured RAL 9006	635.24.271
Polished chrome-plated	635.24.273
Black	635.24.371
Stainless steel colour	635.24.471

Leg, Ø 80 mm



- > +25 mm adjustment
- > Leg can be cut to size
- > Dark grey zinc alloy screw fixing mounting plate
- > Tubular steel leg with black plastic height adjustable foot
- > Order qty: Multiples of 4 pcs



! > These legs are made from tubular steel with a removable plastic foot and can be cut to size

> Additional mounting plate Cat. No. 635.06.016 can be ordered separately, shown on page **149**

Finish	710 mm height
Black	635.07.370
Polished chrome	635.07.273
Stainless steel colour	635.07.479
Silver coloured RAL 9006	635.07.271

! > Load carrying capacity is dependent on the type of material, size and weight of the construction