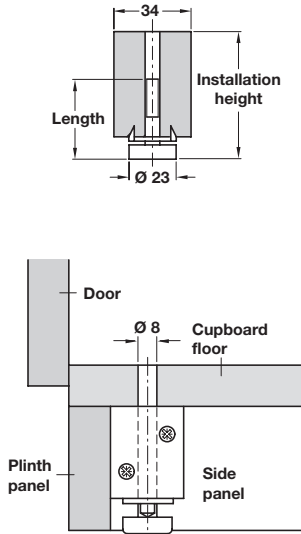


Plinth adjusting fitting

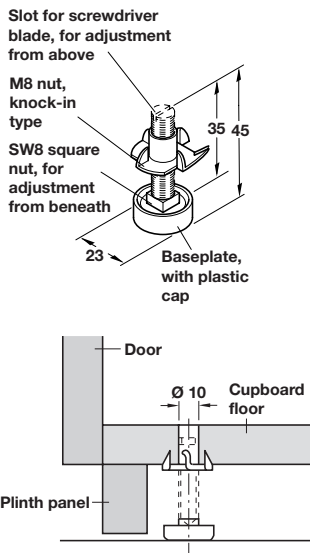


- > Adjustable from above through Ø 8 mm aperture in cupboard floor and from below with SW 8 open-ended wrench
- > Load capacity:
 - 50 kg if only side mounted
 - 250 kg if top and side mounted
- > Bright steel screw with white plastic cap
- > Wood mounting block
- > Order qty: 1 pc



Installation height	Screw length	Cat. No.
55 mm	35 mm	637.12.229
80 mm	75 mm	637.12.265
100 mm	75 mm	637.12.283

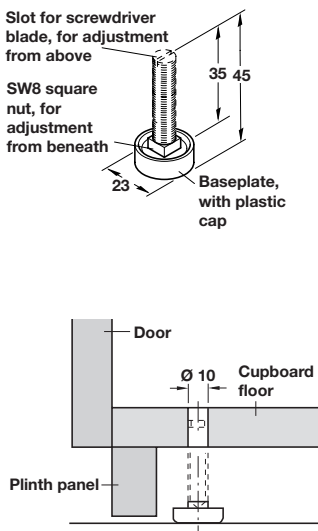
Plinth adjusting fitting



- > Adjustable from above through Ø 10 mm aperture in cupboard floor and from below with SW 8 open-ended wrench
- > Galvanized steel M8 x 35 screw with knock-in nut and plastic cap
- > Order qty: 1 pc

Finish of cap	Cat. No.
White	637.05.000
Black	637.05.300

Plinth adjusting fitting



- > Adjustable from above through Ø 10 mm aperture in cupboard floor and from below with SW 8 open-ended wrench
- > Galvanized steel M8 x 35 mm screw and plastic cap
- > Order qty: 1 pc

Cap finish	Cat. No.
Black	637.05.210