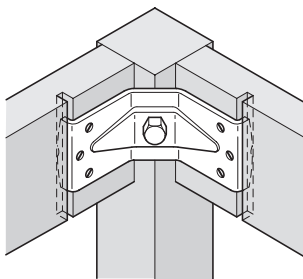
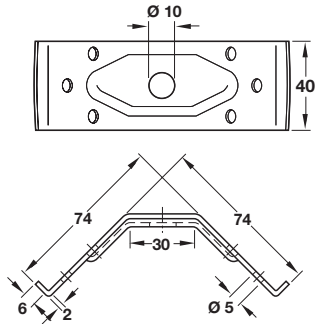


## Corner brace



Leg screw fixed through  
centre hole of corner brace

Table frame grooved  
to accept corner brace

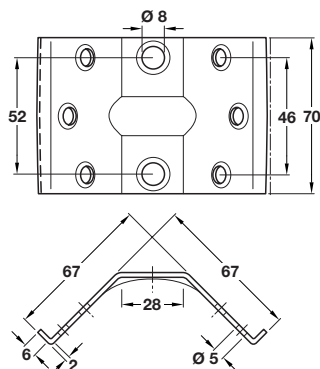
- > For attaching table legs to table frame
- > Tables designed to make use of corner braces can be stored, packed and transported in knock-down form
- > Steel
- > Order qty: 1 pc



Finish  
Galvanized

Cat. No.  
641.00.901

## Corner brace



- > For attaching table legs to table frame
- > Tables designed to make use of corner braces can be stored, packed and transported in knock-down form
- > Steel
- > Order qty: 1 pc



Finish  
Galvanized

Cat. No.  
641.00.910