

NiCo

www.nico.co.uk



standard friction hinge

for reliable long-life performance

Designed and manufactured in the UK, the Nico Friction Hinge is robustly built from stainless steel with precision geometry for a smooth, positive closing action.



Suitable for PVC-u, timber or aluminium window profiles, the Friction Hinge features a counter-bore pivot system with 4.8mm rivets for strong, reliable operation and a long trouble free service life.

For extra strength, the all-metal end-cap is rivetted on to the hinge and the friction slide is made from high strength glass-reinforced nylon with an adjustable brass resistance screw.



MIDDLE: The hinge end-cap is of all-metal construction and is rivetted on to the hinge for extra strength.

BOTTOM: Nico Friction Hinge manufactured in 17mm stack height.

Secured by Design



Police Preferred Specification

**SBD Approved Product
with Nico X-tra Bolts**

**Meets PAS024:2016
as critical component**

UK manufacture

**All stainless steel
construction**

**Unique design for
strength and
performance**

**Choice of 13mm and
17mm stack heights**

**Opening angles allow
easy use and safe
cleaning**

For sales, call 01255 422333 or email sales@nico.co.uk

Fitting Instructions

Nico Friction Hinges are designed to make fitting as simple as possible. There are slotted fixing holes in the base channel and sash bar, with final fixing holes in each component. This configuration allows a maximum of sash to frame adjustment during fitting and window installation.

Friction Hinge mounting faces must be flat, parallel and provide the correct cavity clearance, 13mm or 17mm (-0mm+1mm).

Friction Hinges should be fitted with the end-cap abutting the corner of the window frame.

The centre line of both vent and frame arm should be coincidental and parallel.

Size and weight parameters are to be strictly observed – please refer to Nico for other applications.

After installation, the friction screw should be adjusted to obtain the desired resistance.

standard friction hinge

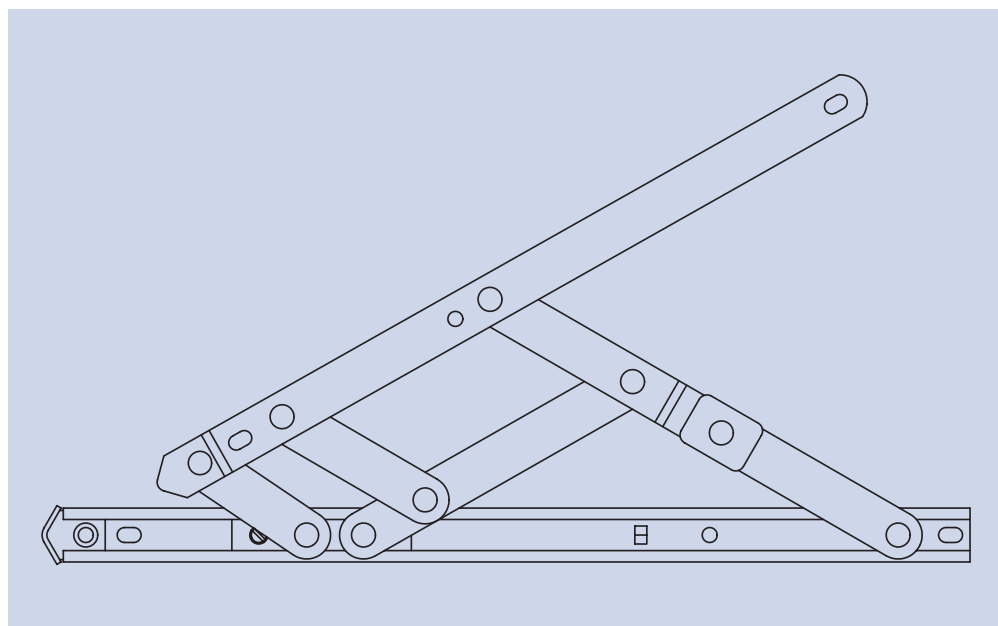
Technical Data

Produced from stainless steel and offering excellent load bearing characteristics, the Nico Standard Friction Hinge has been designed and built to suit the larger window sizes associated with current specifications.

It comes in a range of sizes, from 200mm to 600mm, in 13mm and 17mm stack heights.

The end-cap is symmetrical on the 13mm range and offset on the 17mm range.

All hinges have been endurance tested in the Nico Test Centre with their maximum load carrying capacity over 30,000 cycles.



Standard Friction Hinge

Size	200mm (8")	250mm (10")	300mm (12")	300mm (12")
Vent Type	Top Hung	Top Hung	Top Hung	Side Hung
Max Vent Width	1200mm	1200mm	1200mm	600mm
Max Vent Height	350mm	400mm	550mm	1300mm
Max Vent Weight	12kg	16kg	20kg	22kg
Opening Angle	60°	65°	60°	60°
Bulk Packed	100 (17mm 25)	50	50	50
Order No.13mm	7710 0 07 40	7720 0 07 40	7730 0 07 40	7735 0 07 40
Order No.17mm LH	8210L	8220L	8230L	8235L
Order No.17mm RH	8210R	8220R	8230R	8235R
Size	400mm (16")	400mm (16")	500mm (20")	600mm (24")
Vent Type	Top Hung	Side Hung	Top Hung	Top Hung
Max Vent Width	1200mm	700mm	1000mm	1200mm
Max Vent Height	750mm	1300mm	1000mm	1200mm
Max Vent Weight	21kg	24kg	24kg	35kg
Opening Angle	60°	60°	52°	38°
Bulk Packed	50	50	25	25
Order No.13mm	7745 0 07 40	7740 0 07 40	7750 0 07 40	7760 0 07 40
Order No.17mm LH	8245L	8240L	8250L	8260L
Order No.17mm RH	8245R	8240R	8250R	8260R



ISO 9001 Cert No: Q 09355

Nico Manufacturing Ltd

Oxford Road, Clacton-on-Sea
Essex CO15 3TJ, England.

Tel: 01255 422333

Fax: 01255 432909

E-mail: sales@nico.co.uk

Web: www.nico.co.uk

For sales, call 01255 422333 or email sales@nico.co.uk