



### GRADE 7 HINGE

#### HIN1322/7

- 76 x 51 x 2 mm  
Ball Bearing Hinge
- Suitable for doors  
up to 40kg loading
- Tested to 200,000  
durability cycles



10 Year  
Mechanical  
Guarantee



CE Marked



FD30  
EN1634/1



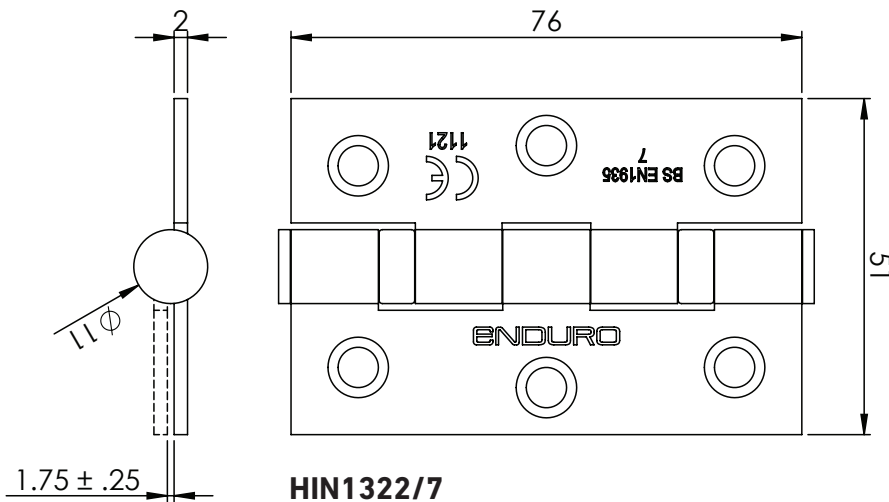
**BSS**



**SSS**



**PVD**



EN1935:2002							
2	7	2	1	1	4	0	7